

Version	2.0	Date	4/5/18
Prepared By	JC		

PRODUCT SPECIFICATION

Category	Round High Bay
Item Number	7696
Stock Code	LED-FX16HBR100/90/840
Mounting	Yoke Mount, Hook or 1/3" Pendant
Housing Color	White



ELECTRICAL CHARACTERISTICS			
Rated Wattage (W)	100	Replacement Wattage (W)	400
Tested Wattage (W)	100		
Input Voltage (V)	120-277V	Surge Protect Level	4KV
Voltage Frequency (Hz)	50/60	Dimmable	1-10V
Input Current (A)	0.84	AUX (12V) Line	-
Power Factor	>0.9		
THD	<20%		

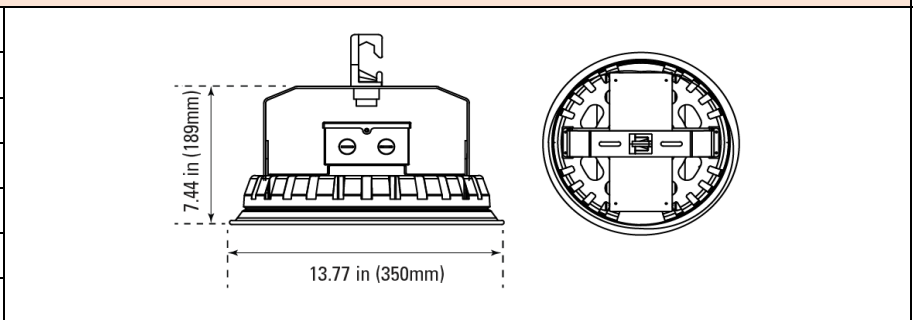
PHOTOMETRIC CHARACTERISTICS			
Lumen (lm)	14,461	CCT (K)	4000K
Efficacy (lm/w)	145	Beam Angle (°)	90°
CRI	>80		

GENERAL CHARACTERISTICS	
Operating Temperature (°F)	-22°F ~ 122°
Storage Temperature (°F)	-22°F ~ 140°
IP Rating	Damp Location
IK Rating	-
Rated Life (Hrs)	50,000
Warranty (Yrs)	5

ACCESSORIES		
Item #	Stock Code	Description
K150148	PLT/HBR/MC31	Microwave Sensor
K7333160	FXHBR-BAEM-MT	LED Driver 120-277V

PRODUCT DIMENSIONS

Width- in / (mm)	13.77" 350
Height- in / (mm)	7.44" 189
Depth- in / (mm)	- -
IK Rating	-
Weight (lbs)	8.5
Mounting Height (ft)	-
Cable Length (ft)	-



CERTIFICATIONS			
UL/ETL	ETL	CEC	
NSF/ETL Sanitation		JA8	
Energy Star		FCC	✓
DLC		RoHs	✓

DOCUMENTS			
LM79	✓	IES File	✓
LM80	✓	Dimmer List	

COMMENTS

--